



Dear Customers,

product prices provided in this brochure are outdated. Due to supply shortages and material price increases, some product prices have changed. We will update this brochure soon. Please contact us for a quotation with updated prices. Thank you for your understanding.

990-0800

AIR-COOLED BEAM DUMP



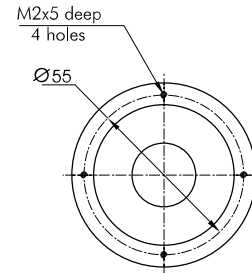
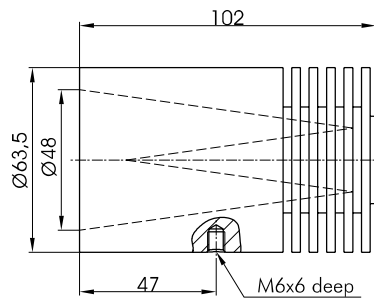
990-0800

Beam Dump 990-0800 is designed to block CW or pulsed laser beams. It can be used on beams of up to 50 W in the wavelength range from 0.1 to 30 μm . Due to the design of the beam dump, even if the non-reflective coating is damaged by high intensity pulses, there is no backward reflection.

SPECIFICATIONS

Wavelength range	0.1-30 μm
Max. Handling power	50 W
Max. Energy	2.5 J (20 Hz)
Acceptance aperture	48 mm (1.89°)
Laser type	pulsed, CW

Code	Weight, kg	Price, EUR
990-0800	0.57	169



990-0820

WATER-COOLED BEAM DUMP



990-0820

Beam Dump 990-0820 is designed to block CW or pulsed laser beams. It is mainly intended for beams 2 inch wide. The dump is best suited for beams of up to 1 kW from 0.1–30 μm wavelength range. Even if the non-reflective coating is damaged by high intensity pulses, the beam is not reflected back into your optical scheme. The dump mounts on M6 hole on its back.

SPECIFICATIONS

Wavelength range	0.1-30 μm
Max. Handling power	1 kW
Max. Energy	50 J (20 Hz)
Acceptance aperture	48 mm (1.89°)
Laser type	pulsed, CW

Code	Weight, kg	Price, EUR
990-0820	1.2	239

