



Positioners & Holders

830-0001

RING HOLDERS FOR NONLINEAR CRYSTALS



830-0001-10



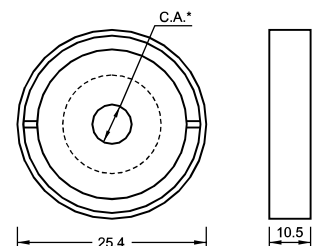
830-0001-06

- Black anodized aluminium body
- Teflon or white anodized aluminium adapter for particular crystal size
- Easy assembling and disassembling

Ring mounts made from black anodized aluminum and Teflon or white anodized aluminium adapter are available for safe and convenient handling of nonlinear crystals. The crystals are glued into white anodized aluminium adapter (830-0001-06). No glue is used for fixation of the crystal into open ring holder with teflon adapter. The standard sizes are $\varnothing 25.4$ or $\varnothing 30$ mm and thickness – 6, 10.5, 13.5 or 17.5 mm depending on crystal size.

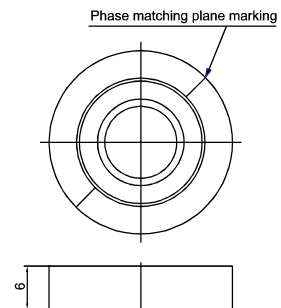
Please indicate the exact crystal size when ordering.

Part No	Diameter, mm	Thickness, mm	Max. acceptable crystal size, mm	Price, EUR
830-0001-06	25.4	6	12×12×0.5	50
830-0001-10	25.4	10.5	12×12×3	50
830-0001-13	25.4	13.5	12×12×6	50
830-0001-17	25.4	17.5	12×12×15	90
830-0002-10	30	10.5	15×15×3	50
830-0002-13	30	13.5	15×15×6	50
830-0002-17	30	17.5	15×15×15	90



* C.A. - depends on crystal aperture

830-0001-10



830-0001-06

HOUSING ACCESSORIES

Positioning Mount
840-0199 for
Nonlinear
Crystal Housing

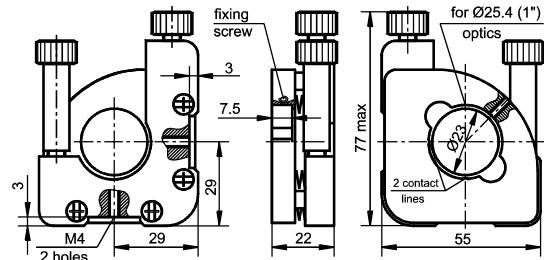
See page 2.26



840-0193

KINEMATIC POSITIONING MOUNT

- For Ø25.4 mm (1 inch) ring holders
- Kinematic design
- Tilt/tip range $\pm 2^\circ$
- Sensitivity 3 arcsec
- Both tilt and tip controlled from aside the optical path
- Fine adjustment screws with 0.25 mm pitch
- Hardened seats under adjustment screws



Code	Weight, kg	Price, EUR
840-0193	0.12	87

840-0199

POSITIONING MOUNT FOR NONLINEAR CRYSTAL HOUSING



840-0199 Positioning Mount with 830-0001 Ring Holder

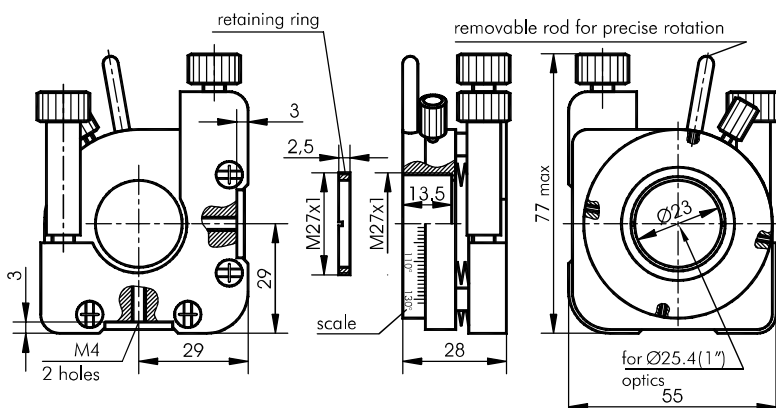
- Accepts Ø25.4 mm and up to 10.5 mm thickness ring housings
- Kinematic design
- Wedge and ball drive mechanism
- Tilt/tip range: $\pm 2^\circ$
- Sensitivity: 3 arcsec
- Fine adjustment screws with 0.25 mm pitch
- Hardened seats under adjustment screws
- Rotation range: 360°
- Scale gradation: 2°
- Compact and robust design
- Material: black anodized aluminum

This kinematic mount accepts crystal housings of Ø25.4 mm and thickness up to 10.5 mm.

Large knobs on the adjusting screws relieve the strain on operator fingers during adjustment. Both screws protrude from the top allowing convenient adjustment outside the laser beam path and providing easy access for adjustments in densely packed optical set-ups.

An extra M4 tapped hole on the side of the base allows you to operate the mount as a side-drive adjustment control mount. The mount is made of black anodized aluminium to help minimize reflections.

A retaining ring M27×1, two Teflon rings and a tightening key to fix the crystal ring housing is included.



Code	Weight, kg	Price, EUR
840-0199	0.12	165